

## HIGH PRECISION BASE PLATES

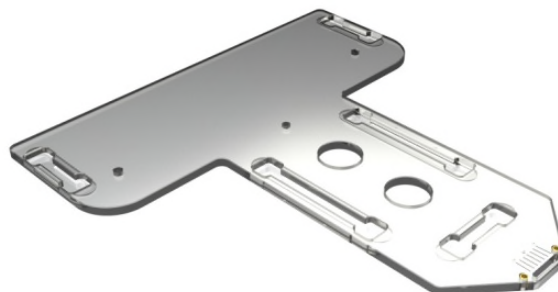
### HIGH PRECISION BASE PLATES FOR CYBERKNIFE



Head & Neck Base Plate

Article No. : **32113**

Article No. : **32113MR** (MRI compatible)



Head, Neck & Shoulders Base Plate

Article No. : **32117MR** (MRI compatible)

#### A. GENERAL PRODUCT INFORMATION

The products referred to in these instructions are medical devices used for patient positioning and immobilisation in radiation therapy on a Cyberknife couch top.

This product may only be used in combination with immobilisation masks produced by Orfit. Orfit prohibits the use of unauthorised third-party products in conjunction with its own products.

#### B. PRODUCT RANGE

The acrylic BASE PLATES FOR CYBERKNIFE are base plates that can be fixed to a Cyberknife couch top and that allow the use of the High Precision range of Efficast® thermoplastic masks on this couch. It is used in combination with the HIGH PRECISION HEAD SUPPORTS and BLOCKS & WEDGES and the EFFICAST® PRE-CUTS to form a reproducible patient positioning and immobilisation system. Information on these other parts and instructions on how to make the masks can be found in the respective 'instructions for use' and on [www.orfit.com](http://www.orfit.com).

The Cyberknife base plates come also in a MRI compatible range designated with 'MR' in the Art. No. These base plates do not have the brass threaded inserts to fix the base plate to the couch top. The thread in the 'MR' range is therefore not as durable.

#### C. PRECAUTIONS FOR USE

Always place the base plate on a flat surface and make sure that it is completely supported by the couch.

Always fix the base plate securely to the Cyberknife treatment couch before positioning a patient.

When handled roughly, this base plate may get damaged and sharp edges can be the result. When this happens, stop using the base plate to avoid injuries to the patient's or user's skin. Contact your distributor.

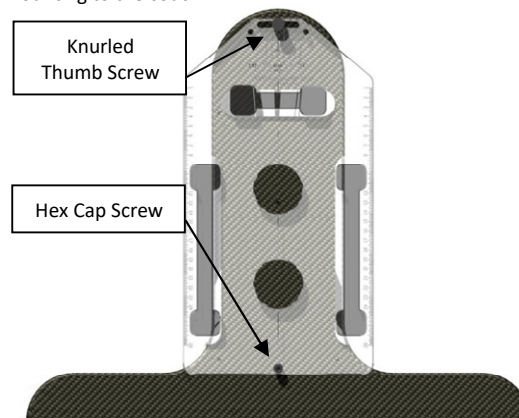
#### D. INSTRUCTIONS FOR USE

##### D.1. Fixation on a Cyberknife treatment couch (original American model with two screw holes):

Necessary components (all included in the package):

- 32113/1, 32113MR/1 or 32117MR/1 Base Plate
- 32113/2 Hex Cap Screw
- 32113/3 Knurled Head Screw
- 32113/4 Allen Wrench 3/16

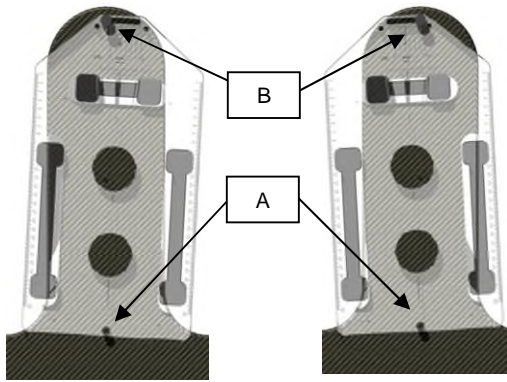
Mounting to the couch:



Use the Allen wrench to fix the Hex Cap Screw. Once the screw reaches its end position, no additional force may be applied.

Using the yaw feature:

- Loosen the hex cap screw (A) slightly. This is the hinge point.
- Loosen the knurled head screw (B) manually.
- Rotate the base plate in the desired angle (max.+3°, -3°).

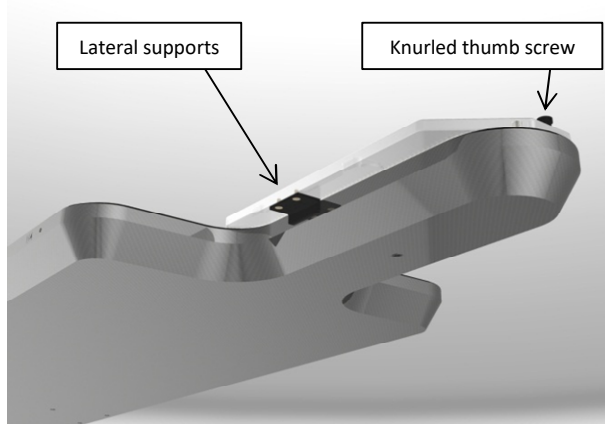


**D.2. Fixation on a Cyberknife treatment couch  
(new 'European' model with only one metric screw hole):**

Necessary components (all included in the package):

- 32113/1, 32113MR/1 or 32117MR/1  
Base Plate
- 32113/5 Lateral Supports (2x)
- 32113/6 Recessed Screws M4 x 10 (4x)
- 32113/7 Knurled Thumb Screw M6 x 20
- 32165/5 Recessed Screwdriver

First mount the two lateral supports with the 4 recessed screws and the screwdriver on the bottom side of the base plate. Then position the base plate on the couch as follows:



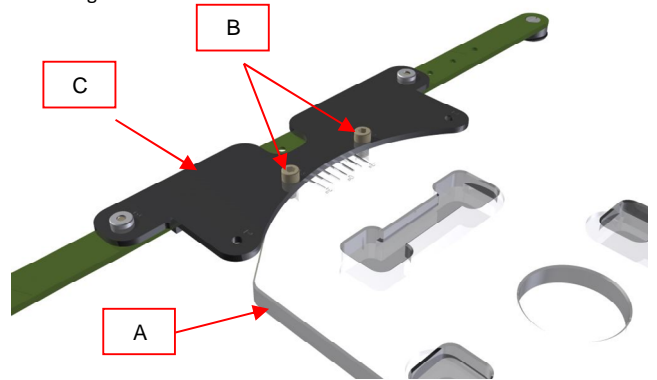
Use the knurled thumb screw at the top of the base plate to lock down the base plate to the couch.

**D.3. Usage on couches with Two Pin Lock Bar system:**

Necessary components:

- 32113/1, 32113MR/1 or 32117MR/1  
Base Plate (A)
- 32063/1 Hex Cap Screw M6 x 12 mm (B)
- 35744/5 Allen Wrench 5 mm
- 32063 Adapter Plate (C)

Mounting:



Screw the adapter plate onto the base plate using the M6x12 hex cap screws and Allen wrench 5 mm.

Fix the bridge bar on the desired indexing position of the couch. Move the adapter plate over the two pins of the bridge bar.

Always fix the base plate securely to the treatment couch before positioning a patient. More information on how to fix this base plate to a couch top can be found on our website <http://www.orfit.com/en/fixation-devices/>.

**E. STORAGE**

Always store the product in a safe place to prevent it from getting damaged or falling onto other objects. Take care not to damage the edges of the plate when storing it in an upright position. Prevent hard objects from falling onto the plate.

Store the base plate between +10°C (50°F) and 40°C (122°F).

**F. PROPERTIES**

**F.1. Physical properties**

Dimensions:

32113:	L 373.50 mm x W 200 mm x H 12 mm
32113MR:	L 373.50 mm x W 200 mm x H 12 mm
32117MR:	L 562.10 mm x W 530 mm x H 12 mm

Base plate density : 1.2 g/cm<sup>3</sup>

Weight:

32113 and 32113MR:	0.80 kg
32117MR:	2.17 kg

**F.2. Material properties**

These base plates are made of Polycarbonate (PC) (Clear). The screws are made of Polyamide (PA) 6/6 + 30% Carbon Fibre (CF) (1.35 g/cm<sup>3</sup>) and PEEK (1.4 g/cm<sup>3</sup>). The lateral supports are made of Polyoxymethylene (POM) (1.4 g/cm<sup>3</sup>).

Product 32113 is MR unsafe and cannot be used in a MRI scanner.



Products 32113MR and 32117MR are made entirely of electrically non-conductive, non-metallic and non-magnetic materials and is MRI safe.



#### G. MAINTENANCE AND WASTE MANAGEMENT

These products can be cleaned and disinfected by means of soapy water or an isopropanol based disinfectant, applied with a soft cloth. If unsure about the cleaning fluid, do not use. **Never use aerosol sprays, corrosive cleaning agents, solvents or abrasive detergents.**

Periodic checks of the product should be done to make sure the parts are not worn and require repair or replacement. **Do not**

**attempt to make repairs yourself.** Contact your distributor if there are any questions or concerns.

The products can be disposed of with household waste.

#### H. ADDITIONAL INFORMATION

For additional information such as distributor contact information, product brochures, Safety Data Sheets and regulatory information, please visit our website [www.orfit.com](http://www.orfit.com).

#### Note:

It is prohibited to make alterations to this text without prior approval from Orfit Industries.  
EFFICAST™ is a registered trademarks of Orfit Industries.



#### ORFIT INDUSTRIES

Vosveld 9A | B-2110 Wijnegem | Belgium  
T (+32) (0)3 326 20 26  
welcome@orfit.com

[www.orfit.com](http://www.orfit.com)



Ref. No. 31940

VERSION 8

LAST UPDATE: 21/03/2023

REVISION DATE: 21/03/2025