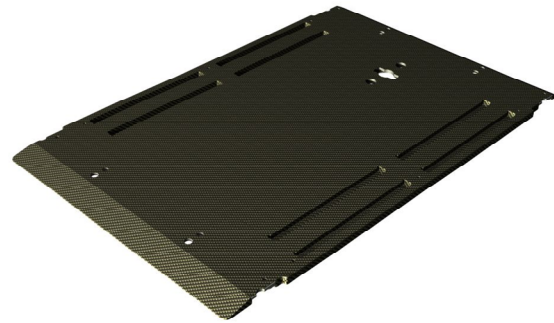


HIGH PRECISION BASE PLATES

HIGH PRECISION PELVICAST™ BASE PLATE IN CARBON FIBRE LAMINATE



Article No. : **32124**

A. GENERAL PRODUCT INFORMATION

This product is a medical device used for patient positioning and immobilisation (pelvis & abdomen) in radiation therapy. This low density base plate can be used during both the simulation and treatment stage.

This product may only be used in combination with immobilisation masks produced by Orfit. Orfit prohibits the use of unauthorised third-party products in conjunction with its own products.

B. PRODUCT DESCRIPTION

This High Precision Pelvicast™ Base Plate in Carbon Fibre Laminate (CFL) is suitable for use in combination with the range of Pelvicast® thermoplastic masks and the AIO Solution® 2nd generation high (32037) and low (32008) leg separator to form a reproducible patient positioning and immobilisation device in the field of radiotherapy. Information on these other parts and instructions on how to make the masks can be found in the respective 'instructions for use' and on www.orfit.com.

C. PRECAUTIONS FOR USE

Always place the base plate on a flat surface and make sure that it is completely supported by the couch.

The maximum heavy point load is 1,5 N/mm² (Compressive strength).

The Pelvicast™ Base Plate can be indexed to an Exact™ Couch and to an iBeam® Couch.



Exact™ Couch

1. Indexation by means of two two-pin bars. The base plate has two holes on both the cranial and caudal side that fit over the two-pin bar.
2. Indexation by means of Loxon™ for Pelvicast™, either one pair or two pairs.



iBeam® Couch

Indexation by means of a set of pins that are mounted on the bottom of the base plate and that index into the openings on the side of an iBeam® couch.

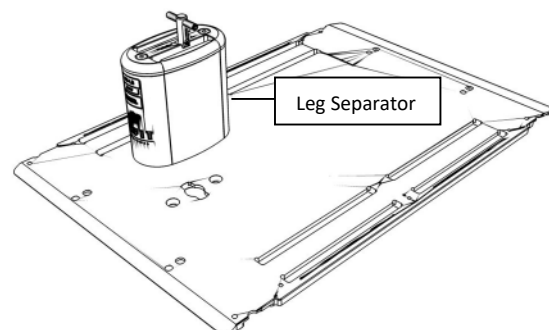
More information on how to fix this base plate to a couch top can be found on our website <http://www.orfit.com/en/fixation-devices/>.

D. ASSEMBLY OF THE LEG SEPARATOR

Slide the Leg Separator into the dedicated holes of the base plate. Once the leg separator is fully pushed down onto the base plate, the locking handle on top of the leg separator can be turned 90° so it lines up with the longitudinal axis of the base plate.

Depending of the length of the patient, the leg separator can be rotated 180° left or right on the vertical axle before mounting so that a more cranial or more caudal position of the leg separator can be obtained.

Mount the leg separator while the patient is on the base plate and not before. Thus the patient does not have to swing his/her leg over the leg separator. Also remove the leg separator before the patient comes of the couch.



E. STORAGE

Always store the product in a safe place to prevent it from getting damaged or falling onto other objects. Take care not to damage the edges of the plate when storing it in an upright position. Prevent hard objects from falling onto the plate. Store the base plate between +10°C (50°F) and 40°C (122°F).

F. PROPERTIES

H.1 Physical Properties

This base plate is made of Carbon Fibre Laminate (CFL).

Dimensions: 810 x 540 x 12 mm (31,89 x 21,26 x 0,47 inches)

Weight: 1,75 kg

H.2 Dosimetric Properties

| Attenuation factor ($\pm 0,15\%$) | |
|-------------------------------------|--------|
| 6 MV | 0,5 % |
| 10 MV | 0,5 % |
| Water equivalent | 2,1 mm |

Note: Use these numbers as a guidance only. Perform the measurements again in your department to verify these results.

G. MAINTENANCE AND WASTE MANAGEMENT

This product can be cleaned and disinfected by means of soapy water or an isopropanol based disinfectant, applied with a soft cloth. If unsure about the cleaning fluid, do not use. **Never use aerosol sprays, corrosive cleaning agents, solvents or abrasive detergents.**

Periodic checks of the product should be done to insure the parts are not worn and require repair or replacement. **Do not attempt to make repairs yourself.** Contact your distributor if there are any questions or concerns.

The product can be disposed of with household waste.

H. ADDITIONAL INFORMATION

For additional information such as distributor contact information, product brochures, Safety Data Sheets and regulatory information, please visit our website www.orfit.com.

Note:

It is prohibited to make alterations to this text without prior approval from Orfit Industries.
THE AIO SOLUTION[®] is a registered trademark of ORFIT INDUSTRIES N.V. Pelvicast[™] and LOXON[™] are trademarks of Orfit Industries.
EXACT[™] is a trademark of Varian Medical Systems Inc. iBEAM[™] is a registered trademark of Elekta.



ORFIT INDUSTRIES
Vosveld 9A | B-2110 Wijnegem | Belgium
T (+32) (0)3 326 20 26
welcome@orfit.com

www.orfit.com



Ref. No. 31962
VERSION 5
LAST UPDATE: 21/03/2023
REVISION DATE: 21/03/2025