



**RAYCAST® HIGH PRECISION
BASE PLATE-TO-COUCH TOP FIXATION DEVICES
2-PIN BAR FOR PIN-POINT COUCH WITH
A WIDTH OF 50 CM (MRI COMPATIBLE)**

INSTRUCTIONS FOR USE

Article No. : **32190**



A. GENERAL PRODUCT INFORMATION

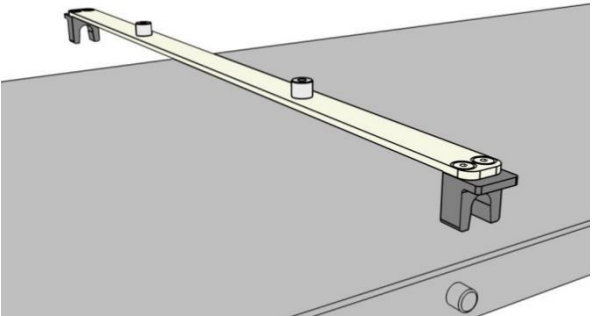
This product is a fixation device to attach Raycast High Precision base plates to couch tops with the pin-point type indexing.

B. PRODUCT DESCRIPTION

This 2-pin bar has two positioning blocks that fit over the indexing pins on the sides of pin-point style couches with a width of 50cm exactly. It can be used to index hardware (base plates, shoulder positioning device, leg indexing system, etc.) directly or via an adapter plate to the couch. For information on the compatible products, please refer to the respective 'instructions for use'.

C. POSITIONING ON A COUCH

The bar is designed for couches with a width of 50cm. The two blocks of this fixation device have a slot which fits over the pins of the pin-point style indexing system.



Push the bar over a set of pins until it clicks in place. The bar itself should now be flat on the surface of the couch. Always make sure that the bar is well positioned on the couch before indexing the other hardware.

To remove the bar, hold the two ends of the bar and pull until the bar snaps off the couch. Never pull in the middle of the bar.

D. STORAGE

Always store the product in a safe place to prevent it from getting damaged.
Store the product between +10°C (50°F) and 40°C (122°F).

E. PROPERTIES

E.1 Physical Properties

Dimensions : L 546 x W 24 x H 38,5 mm
Weight: +/- 0.1 kg

E.2 Material Properties

Material POM (pins/blocks): 1,4 gr/cm³
Material PC (screws): 1,2 gr/cm³
Material Glass Fibre (bar): 1,8 gr/cm³
This product is made entirely of durable plastics and is MR-safe.



Warning: keep metal wrenches which might be supplied in the package out of the MRI room.

E.3 Dosimetric Properties

Attenuation factor (± 0.15 %)	
6 MV	2.67%
15 MV	2.00%
H ₂ O equivalence	7.72 mm

Note: Use these numbers as a guidance only. Perform the measurements again in your department to verify these results.

F. MAINTENANCE AND WASTE MANAGEMENT

This product can be cleaned and disinfected by means of soapy water or an isopropanol based disinfectant, applied with a soft cloth. If unsure about the cleaning fluid, do not use. **Never use aerosol sprays, corrosive cleaning agents, solvents or abrasive detergents.**

Periodic checks of the product should be done to insure the parts are not worn and require repair or replacement. **Do not attempt to make repairs yourself.** Contact your distributor if there are any questions or concerns.
The product can be disposed of with household waste.

G. ADDITIONAL INFORMATION

For additional information such as distributor contact information, product brochures, Material Safety Data Sheets and regulatory information, please visit our website www.orfit.com.

The instructions were written in accordance with the European Directive 93/42/EEC for Medical Devices. It is prohibited to make alterations to this text without prior approval from ORFIT Industries.

RAYCAST® is a registered trademark of ORFIT Industries



Ref. No. 50026 – 32190.doc

VERSION 4 - LAST UPDATE: 07/12/2016 - REVISION DATE: 07/12/2018