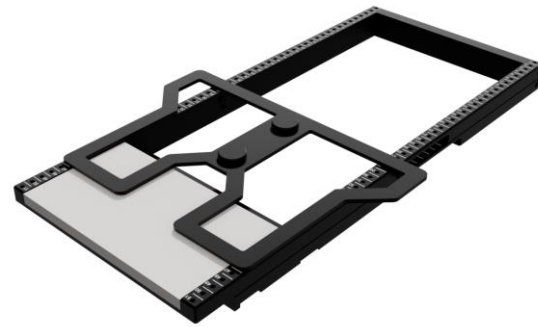


THE AIO SOLUTION® ACCESSORIES AIO INDEXABLE KNEE FRAME – LONG



Article No. : 29055

A. GENERAL PRODUCT INFORMATION

The products referred to in these instructions are medical devices, used for patient positioning and immobilisation in radiation therapy.

Orfit prohibits the use of unauthorized third-party products in conjunction with its own products.

B. PRODUCT DESCRIPTION

The INDEXATION FRAME can be used to index the grey knee & leg positioning cushions (29026, 29027 and 29028) by means of a 2-pin bar. It can be used in combination with the AIO BASE PLATE, with the BLUE, YELLOW or GREEN AIO CUSHION SET or as a stand-alone product on the couch top. Together with these products, the indexation frame forms a reproducible patient positioning and immobilisation system. Information on these other parts can be found in the respective 'Instructions for use', which can be found on our website.

The system consists of three frames: the Upper frame, the Middle frame and the Bottom frame. The middle frame is only used in combination with the AIO cushions, in other combinations, only the Bottom and Upper frame are used.

C. USE

The bottom frame can be fixed onto the couch with a 2-pin bar. Two positions, A and B, can be used to make sure that the frame is positioned right behind the AIO BASE PLATE (Figure 1).

The upper and bottom frame are attached to each other by locking it with a clamp, one on each side of the frames (Figure 2).

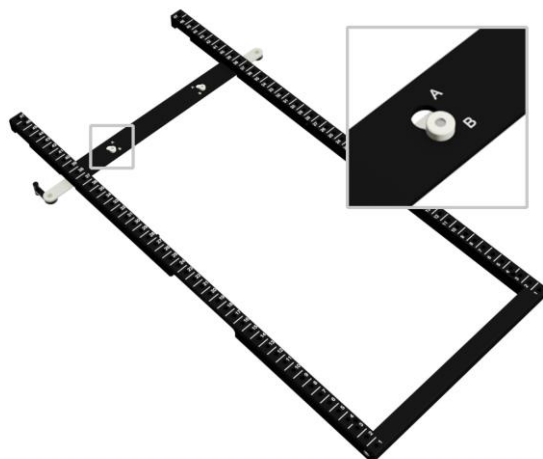


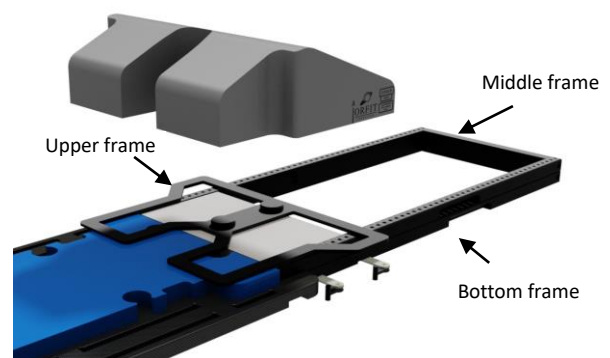
Figure 1



Figure 2

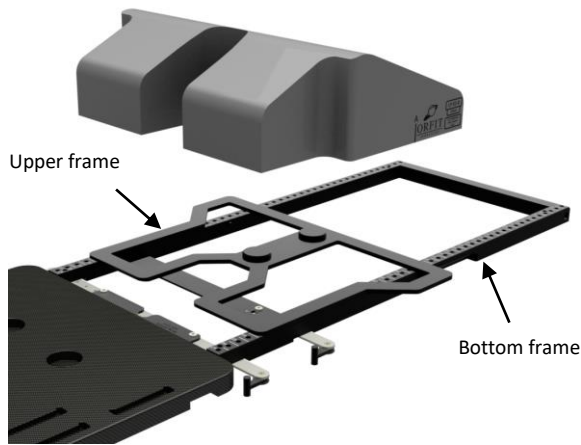
C.1. Set-up with the AIO cushions

The upper frame, that holds the knee & leg positioning cushions, can be indexed on the bottom frame or the middle frame. If the system is used in combination with AIO CUSHIONS, the middle frame has to be used to make sure the KNEE & LEG POSITIONING CUSHIONS are at the correct height.



C.2. . Set-up without the AIO cushions

If the system is used without AIO BASE PLATE or with an AIO BASE PLATE but without AIO CUSHIONS, the upper frame can be indexed directly on the bottom frame, without the middle frame.



D. PARTS LIST

Art. No.	Description
29055	AIO INDEXABLE KNEE FRAME - SHORT
containing:	
1 x 29054/1	Lower Frame
1 x 29054/2	Upper Frame
1 x 29053/1	Upper Frame
1 x 29053/4	Small Knee Cushion

E. STORAGE

Always store the product in a safe place to prevent it from getting damaged. Store the product in such a way that it cannot fall or bump against anything. Never place the cushion under constant load or pressure.

Store the device between + 10°C (50°F) and 40°C (122°F).

F. PROPERTIES

F.1. Basic Physical Properties

The following physical properties apply to the complete INDEXATION FRAME:

Dimensions:	L 1020 mm x H 80 mm x W 560 mm L 40.16" x H 3.15" x W 22.05"
Weight:	7.50 kg 16.53 lbs

F.2. Mechanical Properties

The frames are made of POM, which keeps its dimensions overtime and under conditions of frequent use.

The Small Knee Cushion is made from polyurethane foam, with a polyurethane coating.

The screws are made of nylon.

G. MAINTENANCE AND WASTE MANAGEMENT

This product can be cleaned and disinfected by means of soapy water or an isopropanol based disinfectant, applied with a soft cloth. If unsure about the cleaning fluid, do not use. **Never use aerosol sprays, corrosive cleaning agents, solvents or abrasive detergents.**

Periodic checks of the product should be done to insure the parts are not worn and require repair or replacement. **Do not attempt to make repairs yourself.** Contact your distributor if there are any questions or concerns.

The product can be disposed of with household waste.

H. ADDITIONAL INFORMATION

For additional information such as distributor contact information, product brochures, Safety Data Sheets and regulatory information, please visit our website www.orfit.com.

Note:

It is prohibited to make alterations to this text without prior approval from Orfit Industries.
THE AIO SOLUTION[®] is a registered trademark of Orfit Industries.



ORFIT INDUSTRIES
Vosveld 9A | B-2110 Wijnegem | Belgium
T (+32) (0)3 326 20 26
welcome@orfit.com

www.orfit.com



Ref. No. 50047
VERSION 4
LAST UPDATE: 02/04/2021
REVISION DATE: 02/04/2023