

SBRT SOLUTION LONG SBRT BASE PLATE COMPATIBLE WITH THE ELEKTA HEXAPOD™ EVO RT SYSTEM



Article No. : 32317/1/HX

A. GENERAL PRODUCT INFORMATION

The products referred to in these instructions are medical devices, used for patient positioning and immobilization in radiation therapy.

B. PRODUCT DESCRIPTION

This glass fibre BASE PLATE is the basic element of the SBRT package. This base plate has a cut-out which makes it compatible with the HexaPOD™ evo RT system. It is used in combination with the SBRT RESPIRATORY SYSTEM, the INDEXABLE KNEE and FOOT SUPPORT, the ARM REST, the RAYCAST HIGH PRECISION HEAD SUPPORTS and BLOCKS & WEDGES, the EFFICAST PRE-CUTS and the VACUUM BAGS to form a reproducible patient positioning and immobilization device. Information on these other parts can be found in the respective 'instructions for use'.

C. PRECAUTIONS BEFORE USE

This is a fragile product, please handle with care. Always place the base plate on a flat surface. Clear the treatment table of any debris before positioning the base plate.

Always fix the base plate securely to the treatment couch before positioning a patient. More information on how to fix this base plate to a couch top can be found on our website <http://www.orfit.com/en/fixation-devices/>.

The base plate contains a cut-out which limits the use of the pressure system bridge. The 5 most inferior indexing positions (E24 until E28) that are located on the LONG SBRT BASE PLATE (32317/1) are not available. 4-points pelvic masks, 5-points asymmetric breast masks and 6-points thorax and abdomen masks cannot be used on the Elekta HexaPOD™ evo compatible SBRT base plate due to cut-out positioned at the height of the slots.

The glass fibre base plate is constructed to be light in weight. When handled roughly, it may get damaged and fibres may come off. When this happens, stop using the base plate to prevent fibres from getting in contact with the patient's or user's skin. Contact your distributor.

D. STORAGE

Always store the product in a safe place to prevent it from getting damaged. Take care not to damage the edges of the plate when storing it in an upright position. Prevent hard objects from falling onto the plate.

Store the base plate between +10°C (50°F) and 40°C (122°F).

E. PROPERTIES

E.1. Physical Properties

Dimensions : L 2273 mm x W 540 mm x H 30 mm
Weight : 10.5 kg
Average density : 0.327 g/cm³

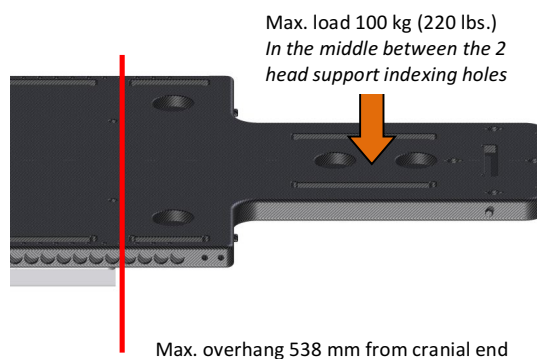
Made from a foam core with glass fibre top and bottom surfaces. Edges are epoxy resin. Other inserts made from hardwood/epoxy.

No metals

This product is made entirely of electrically non-conductive, non-metallic and non-magnetic materials and is MRI safe.



E.2. Mechanical Properties



Below sag and creep results at conditions of maximum overhang, force at cranial end and 21°C.

Sag examples are 0,53 mm/5 kg and 3,7 mm/35 kg

Sag = 0,1046 x load (kg) + 0,0136 (21°C, 30 min.)

Creep examples are 0,018 mm/5 kg/30 min and 0,074 mm/35 kg/30 min.

Creep = 0,0018 x load (kg) + 0,0099 (21°C, 30 min.)

E.3. Dosimetric Properties

The general attenuation factor ($\pm 0,15\%$) for the Base Plate is as follows:

6 MV	1.4 %
15 MV	1.2 %
Skin build-up	4 mm H ₂ O equiv.
Absorption	0,19 %/cm

The Base Plate has areas where higher density ($\pm 1.4\text{ g/mm}^3$) materials have been used to reinforce parts like screw inserts, grip pole inserts, leg cushion rail, etc. The following CT image shows these areas. Attenuation factors at 6MV of these insert is 8 to 10 %.

Note: Use these numbers as a guidance only. Perform the measurements again in your department to verify these results.

F. MAINTENANCE AND WASTE MANAGEMENT

This product can be cleaned and disinfected by means of soapy water or an isopropanol based disinfectant, applied with a soft cloth. If unsure about the cleaning fluid, do not use. **Never use aerosol sprays, corrosive cleaning agents, solvents or abrasive detergents.**

Periodic checks of the product should be done to insure the parts are not worn and require repair or replacement. **Do not attempt to make repairs yourself.** Contact your distributor if there are any questions or concerns.

The product can be disposed of with household waste.

G. ADDITIONAL INFORMATION

For additional information such as distributor contact information, product brochures, Safety Data Sheets and regulatory information, please visit our website www.orfit.com. Website www.orfit.com.

Note:

The instructions were written in accordance with the European Directive 93/42/EEC for Medical Devices. It is prohibited to make alterations to this text without prior approval from Orfit Industries. RAYCAST[®] and EFFICAST[®] are registered trademarks of ORFIT Industries.



ORFIT INDUSTRIES
Vosveld 9A | B-2110 Wijnegem | Belgium
T (+32) (0)3 326 20 26
welcome@orfit.com

www.orfit.com



Ref. No. 50157
VERSION 1
LAST UPDATE: 19/10/2017
REVISION DATE: 19/10/2019