

SBRT SOLUTION LONG SBRT BASE PLATE COMPATIBLE WITH THE ELEKTA HEXAPOD™ EVO RT SYSTEM



Article No. : 32317/1/HX/2

A. GENERAL PRODUCT INFORMATION

This product is a medical device used for patient positioning and immobilisation of several anatomical regions in radiation therapy. This low density base plate, that can be used for both simulation and treatment, has a cut-out which makes it compatible with the Elekta HexaPOD™ evo RT system.

To attain an optimal result, it is recommended to use this product in combination with Orfit immobilisation products.

B. PRODUCT DESCRIPTION

This SBRT BASE PLATE is used in combination with the SBRT pressure system bridges ref. 32317/23 & 32317/24, the pressure belts, the indexable knee and foot support, the arm rest, the range of Efficast® thermoplastic Head & Neck and Head, Neck & Shoulders masks, the Raycast High Precision Head Supports and Blocks & Wedges and the Vacuum bags to form a reproducible patient positioning and immobilisation device. Information on these other parts and instructions on how to make the masks can be found in the respective 'instructions for use' and on www.orfit.com.

This glass fibre base plate has a cut-out which makes it compatible with the HexaPOD™ evo RT system. The cut-out allows indexing of the HexaPOD frame for all treatment locations.

C. PRECAUTIONS BEFORE USE

This is a fragile product, please handle with care. Always place the base plate on a flat surface. Clear the treatment table of any debris before positioning the base plate.

Always fix the base plate securely to the treatment couch before positioning a patient. More information on how to fix this base plate to a couch top can be found on our website <http://www.orfit.com/en/fixation-devices/>.

4-points pelvic masks, 5-points asymmetric breast masks and 6-points thorax and abdomen masks cannot be used on this Elekta HexaPOD™ evo compatible SBRT base plate due to cut-out positioned at the height of the slots.

This Elekta HexaPOD EVO compatible SBRT base plate can only be used with pressure system bridges ref. 32317/23 & 32317/24. Pressure system bridges 32317/2 & 32317/10 are not compatible with this base plate.

The glass fibre base plate is constructed to be light in weight and to have superb dosimetric properties. When handled roughly, it may get damaged and fibres may come off. When this happens, stop using the base plate to prevent fibres from getting in contact with the patient's or user's skin. Contact your distributor.

D. STORAGE

Always store the product in a safe place to prevent it from getting damaged or falling onto other objects. Take care not to damage the edges of the plate when storing it in an upright position. Prevent hard objects from falling onto the plate.

Store the base plate between +10°C (50°F) and 40°C (122°F).

E. PROPERTIES

E.1. Physical Properties

Dimensions	: L 2273 mm x W 540 mm x H 30 mm
Weight	: 10.5 kg
Average density	: 0.327 g/cm ³

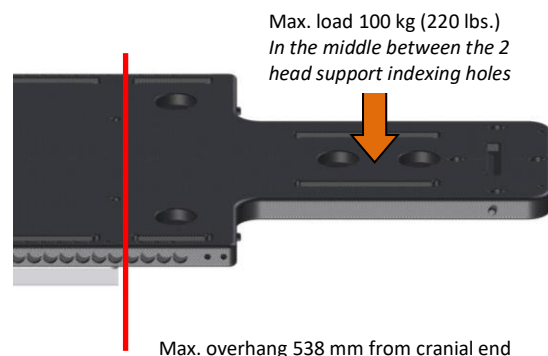
Made from a foam core with glass fibre top and bottom surfaces. Edges are epoxy resin. Other inserts made from hardwood/epoxy.

No metals

This product is made entirely of electrically non-conductive, non-metallic and non-magnetic materials and is MRI safe.



E.2. Mechanical Properties



Below sag and creep results at conditions of maximum overhang, force at cranial end and 21°C.

Sag examples are 0,53 mm/5 kg and 3,7 mm/35 kg

Sag = 0,1046 x load (kg) + 0,0136 (21°C, 30 min.)

Creep examples are 0,018 mm/5 kg/30 min and 0,074 mm/35 kg/30 min.

Creep = 0,0018 x load (kg) + 0,0099 (21°C, 30 min.)

E.3. Dosimetric Properties

Following numbers are measured on 32317/1 - SBRT Solution Long SBRT Base Plate. Use these numbers as a guidance only.

Values can differ from the 32317/1 - SBRT Solution Long SBRT Base Plate. Perform the measurements again in your department according to applied treatment techniques and treatments systems.

The general attenuation factor ($\pm 0,15\%$) for the Base Plate is as follows:

6 MV	1.4 %
15 MV	1.2 %
Skin build-up	4 mm H ₂ O equiv.
Absorption	0,19 %/cm

The Base Plate has areas where higher density ($\pm 1.4\text{ g/mm}^3$) materials have been used to reinforce parts like screw inserts, grip pole inserts, leg cushion rail, etc.

F. MAINTENANCE AND WASTE MANAGEMENT

This product can be cleaned and disinfected by means of an isopropanol based disinfectant, applied with a soft cloth. If unsure about the cleaning fluid, do not use. **Never use aerosol sprays, corrosive cleaning agents, solvents or abrasive detergents.**

Pre-use and periodic checks of the product should be done to insure the parts are not worn and require repair or replacement. **Do not attempt to make repairs yourself.** Do not use the product when damaged. Contact your distributor if there are any questions or concerns.

The product can be disposed of with household waste.

G. ADDITIONAL INFORMATION

For additional information such as distributor contact information, product brochures, Safety Data Sheets and regulatory information, please visit our website www.orfit.com. Website www.orfit.com.

Note:

It is prohibited to make alterations to this text without prior approval from Orfit Industries. RAYCAST[®] and EFFICAST[®] are registered trademarks of ORFIT Industries.



ORFIT INDUSTRIES
Vosveld 9A | B-2110 Wijnegem | Belgium
T (+32) (0)3 326 20 26
welcome@orfit.com

www.orfit.com



Ref. No. 50243
VERSION 2
LAST UPDATE: 09/12/2021
REVISION DATE: 09/12/2023